



CLBDPHUS-400 1500VDC Solar Isolator switch



CLBDPHUS-400产品特点和概述/CLBDPHUS-400 Product Specification and Overview:

●本产品应用于光伏系统中,使用电压可达到1500VDC;本产品机构动作速度快,能快速分断触头;本产品类别为DC-21B PV-2.

The product is used in solar system,the voltage can reach 1500VDC;the mechanism of the product move fast, breaking the contact quickly;and the category is DC21B PV-2.

●本产品安装方便,其接线和操作工具不在一方向上;所有接线操作都在同一方向上,提高了工具使用率,降低了产品的占用空间,且方便产品更换维修(同类产品接线与操作工具在同一方向,占用空间大,且安装不方便).

Assemble conveniently,its wiring and operation tools are not in a direction;All wiring operations are in the same direction,improve tool usage,reduce the product of occupied space,and the product replacement and maintenance is more convenient.(similar product wiring and operation tool are in the same direction, occupy large space,the assemble is not convenient).

●此开关体积小,具有灭弧时间短,同时多组触头同时操作等特点.该产品可以用于额定电压小于1500V及以下,额定电流在400A以下的光伏系统中.

This switch has the advantages of small size, short arc extinguishing time, simultaneous operation of multiple sets of contacts, etc. The product can be used in photovoltaic systems with a rated voltage less than 1500V and below and a rated current below 400A.

●该产品在使用接线中,接线无直流极性要求,可按归照自己的需求任意选择电源极和负载极.

In use of the wiring, it is no DC polarity requirements,the power pole and load pole can be arbitrarily selected according to their own requirements.

型号说明

Model Description:

CLB DP (AP) HU S-400 E/315A 11 K A 1500V	描述 Description
CLB	公司代码 Company Code
DP (AP)	DP 直流系统DC System AP 交流系统AC System
HU	高压 high voltage
S	隔离开关 Load Breaking Switch
400	壳架等级电流 Frame current
E	正面操作Front Operation
315A	额定电流Rated Current
K	P-带门上安装手柄和轴 with handle and shaft installed on the panel K-带直接安装手柄with handle installed on the switch -不带手柄和轴(无后缀) without handle and shaft (blank)
A	A-辅助Auxiliary contact -不带辅助(无后缀) Without auxiliary (no suffix)
1500V	额定工作电压Rated working Voltage

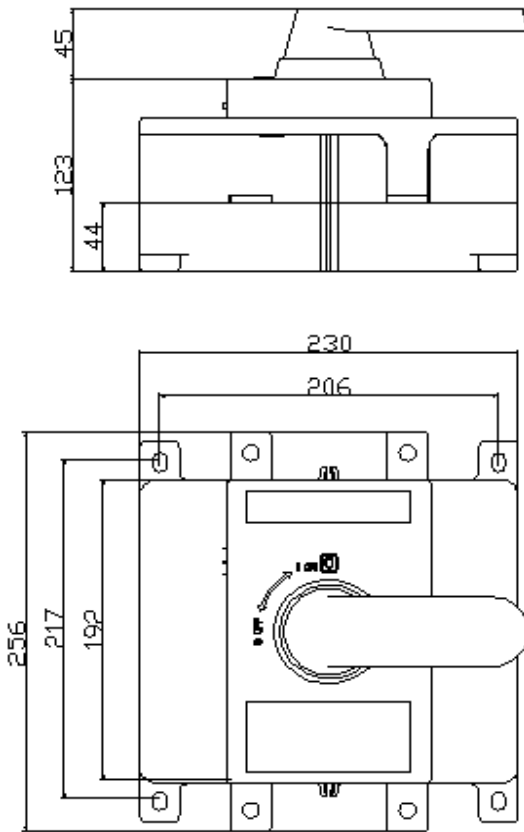
技术参数

Technical data:

型号 Model No.	CLBDPHUS-400		
额定电压 Rated voltage	Ue	V	1500
额定电流 Rated current	Ie	A	250 315 400
额定发热电流 Rated Heating current	Ith	A	400
额定绝缘电压 Rated insulation voltage	Ui	V	1500
额定冲击耐受电压 Rated impulse withstand voltage	Uimp	V	12000
额定短时耐受电流 (1s) Rated short-time withstand current(1s)	Icw	A	1500
额定短路接通能力 Rated short circuit capacity	Icm	A	2500
产品尺寸 (长*宽*高) Size (length*width*height)	2P	mm	230*192*168
产品极性 Product polarity		Pole	2
额定工作时间 Rated working time		H/day	8
产品接线能力 Product connection capability		mm ²	240
M10拧紧力矩 (Min-Max) M10 tightening torque		Nm	12~15
面板安装螺母拧紧力矩 (Min-Max) Panel install nut tightening torque		Nm	2~2
安装方式 Installation method			Panel Type
电寿命 Electric life		Time	1000
机械寿命 Mechanical life		Time	20000
环境温度 Ambient temperature		°C	-5°C~+40°C
储存和运输温度 Storage and transportation temperature		°C	Between -25°C and +55°C and ,for short periods not exceeding 24h ,up to +70°C.
海拔高度 Height above sea level		m	≤2000
污染等级 Pollution level			III
IP等级 IP level			IP20
单孔面板安装密封盖的IP等级 IP for single-hole panel mounting seals cover			IP65
额定工作制 Rated duty			不间断工作制 Uninterrupted duty

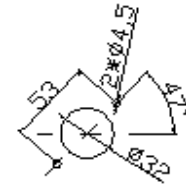
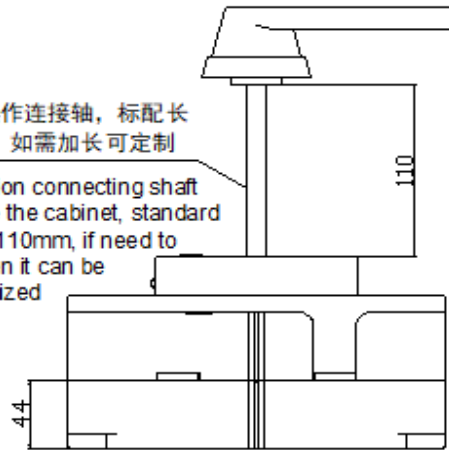
产品和安装尺寸

Product Installation and Size:



柜外操作连接轴, 标配长 110mm, 如需加长可定制

Operation connecting shaft outside the cabinet, standard length 110mm, if need to lengthen it can be customized

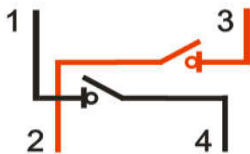


柜外操作门板开孔尺寸

Opening size of door panel outside the cabinet

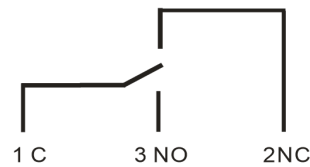
产品接线图

Product wiring diagram:



辅助触点接线图

Auxiliary contact wiring diagram:



附件概览

Accessory overview

- 1、隔离开关 Load Breaking Switch
- 2、加长轴 Extended shaft
- 3、辅助触头 Auxiliary contact
- 4、手柄 Pistol style handle

